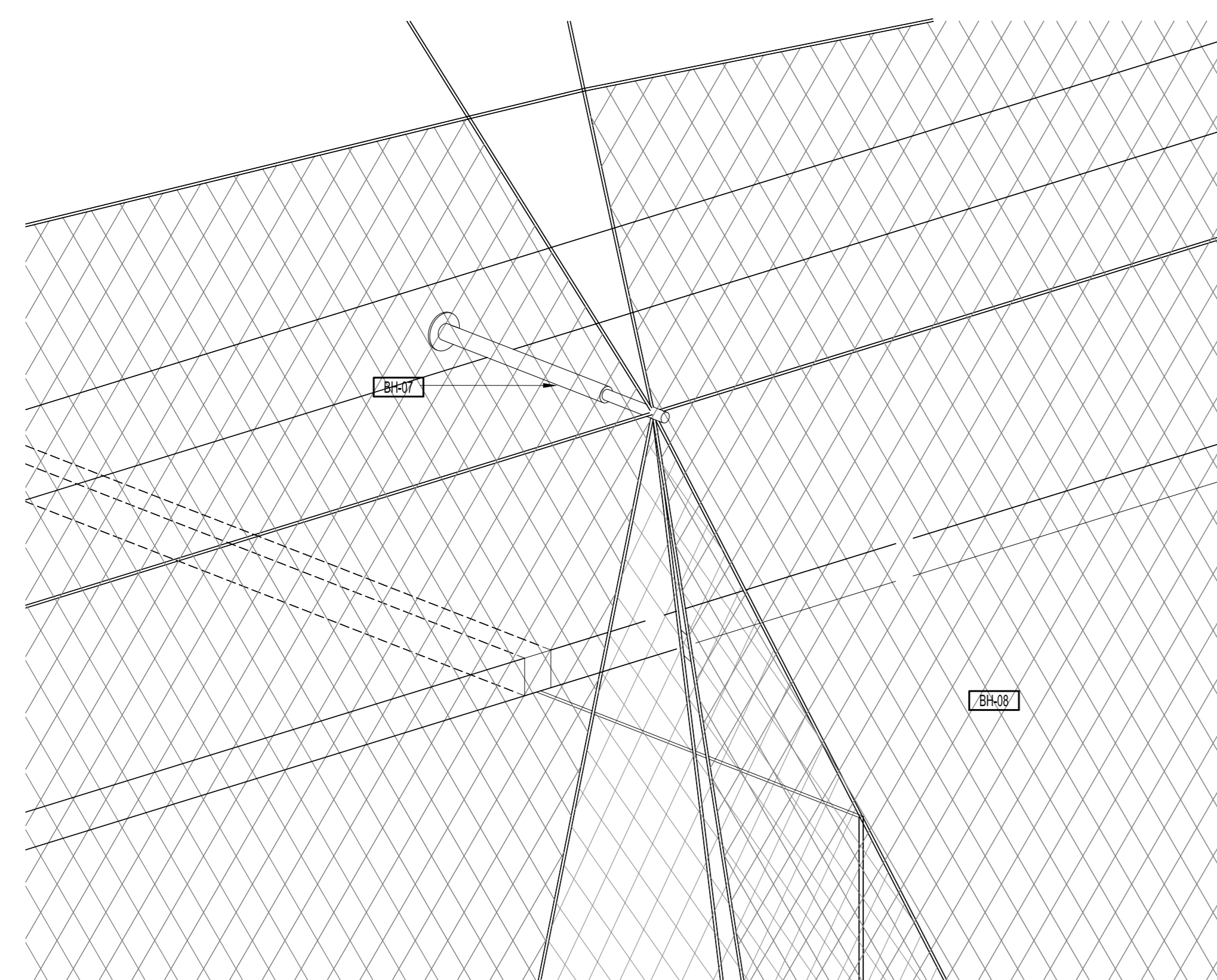
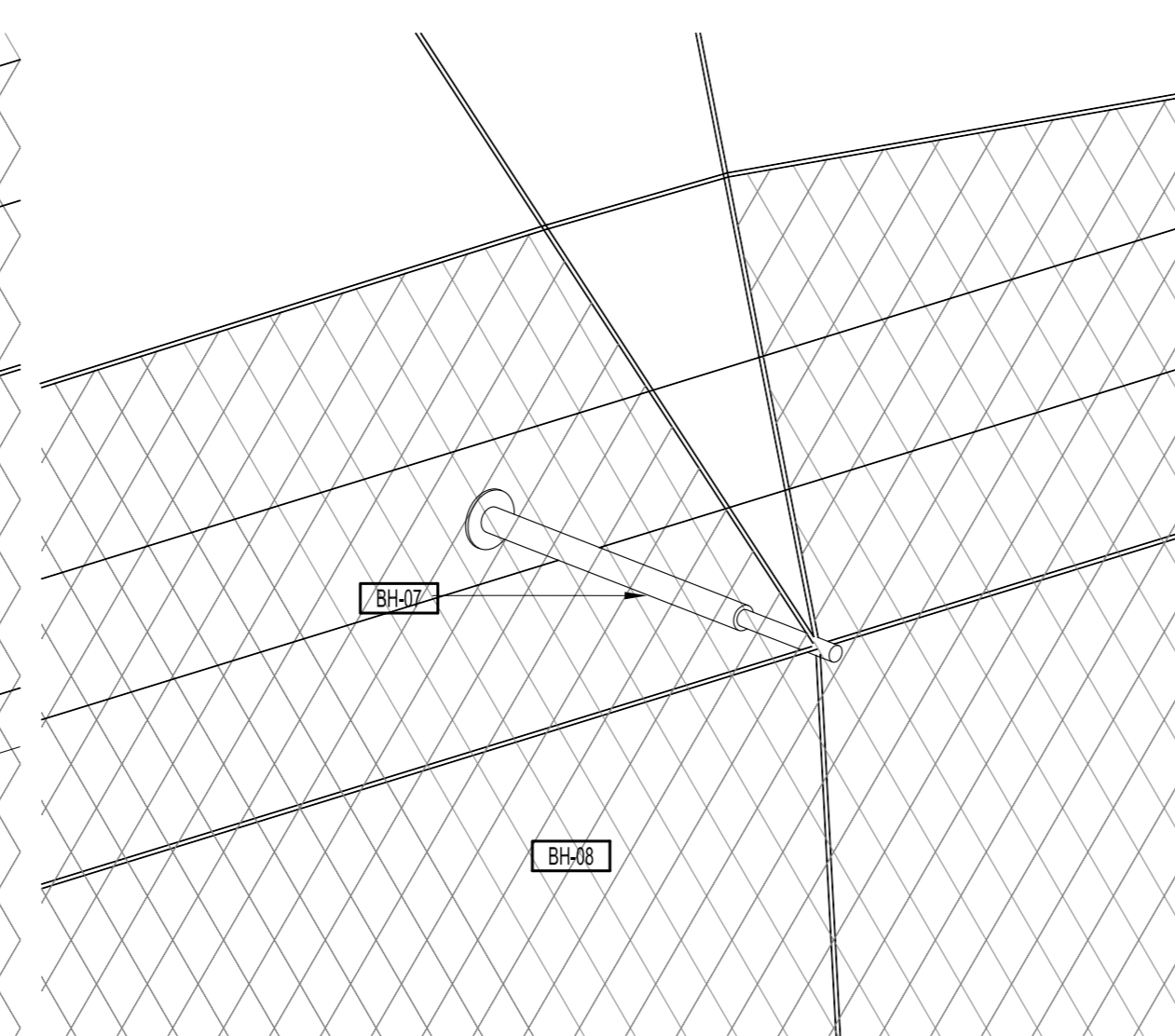


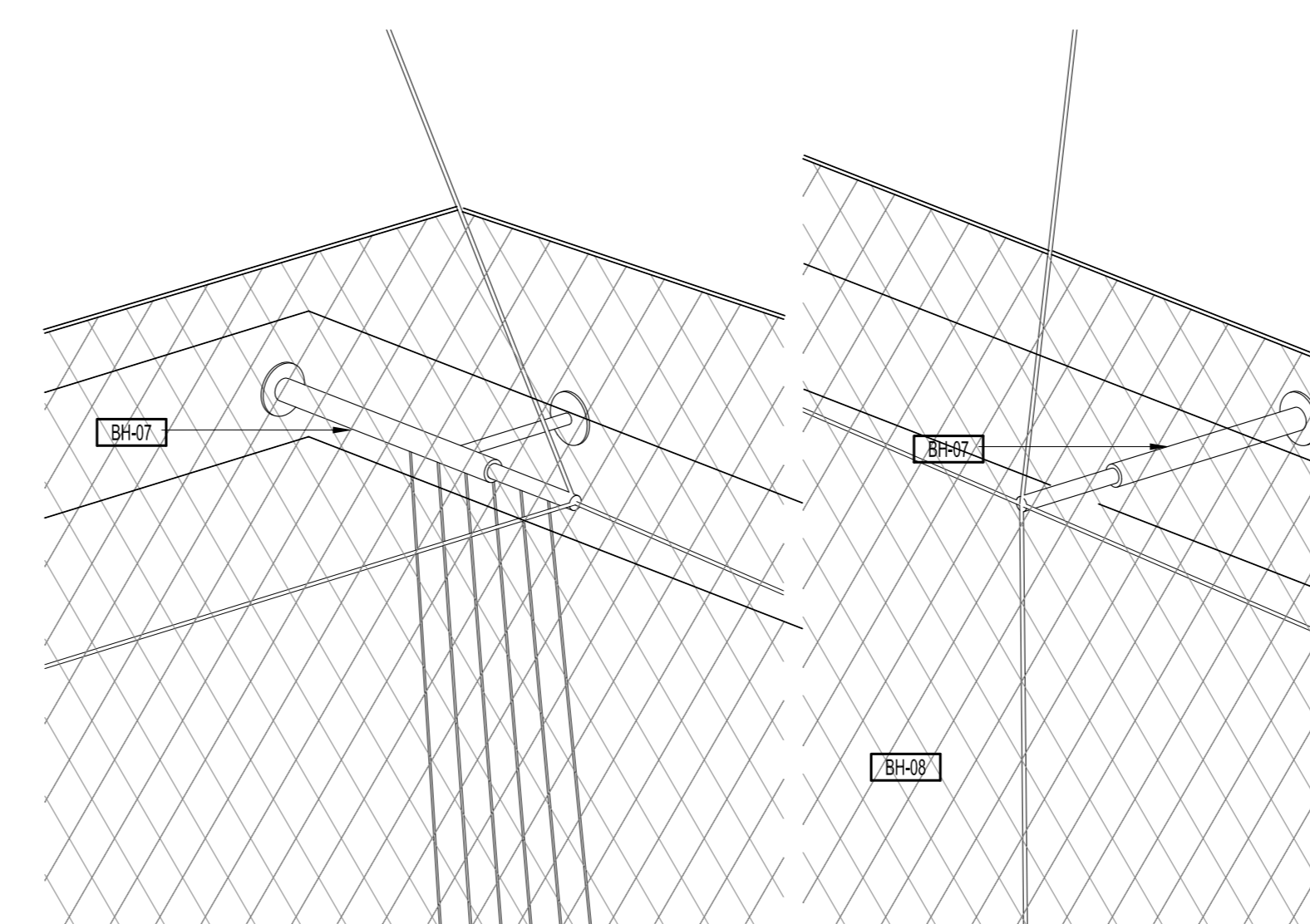
General Notes



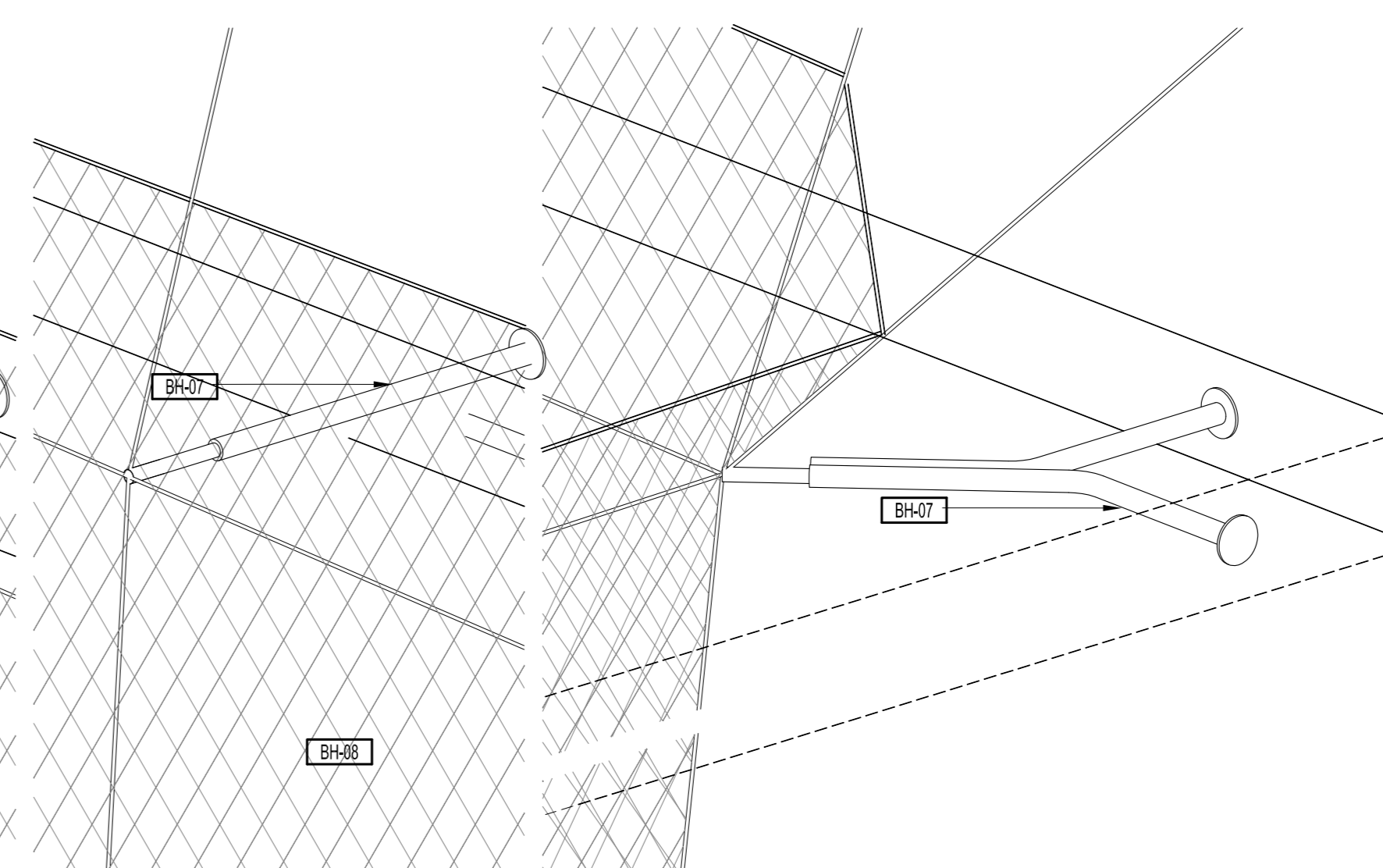
10 AXON PIPE OUTRIGGER @ L05 - NORTH EAST CORNER
SCALE 1:10



07 AXON PIPE OUTRIGGER @ L05 - NORTH EAST CORNER
SCALE 1:10

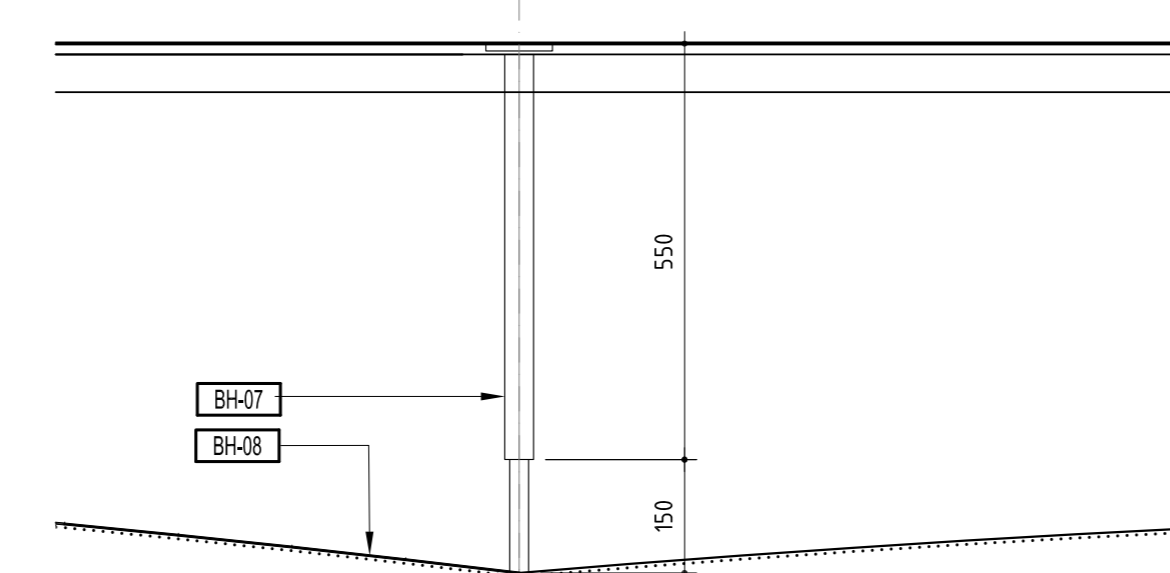


05 AXON PIPE OUTRIGGER @ L05 - SOUTH EDGE
SCALE 1:10

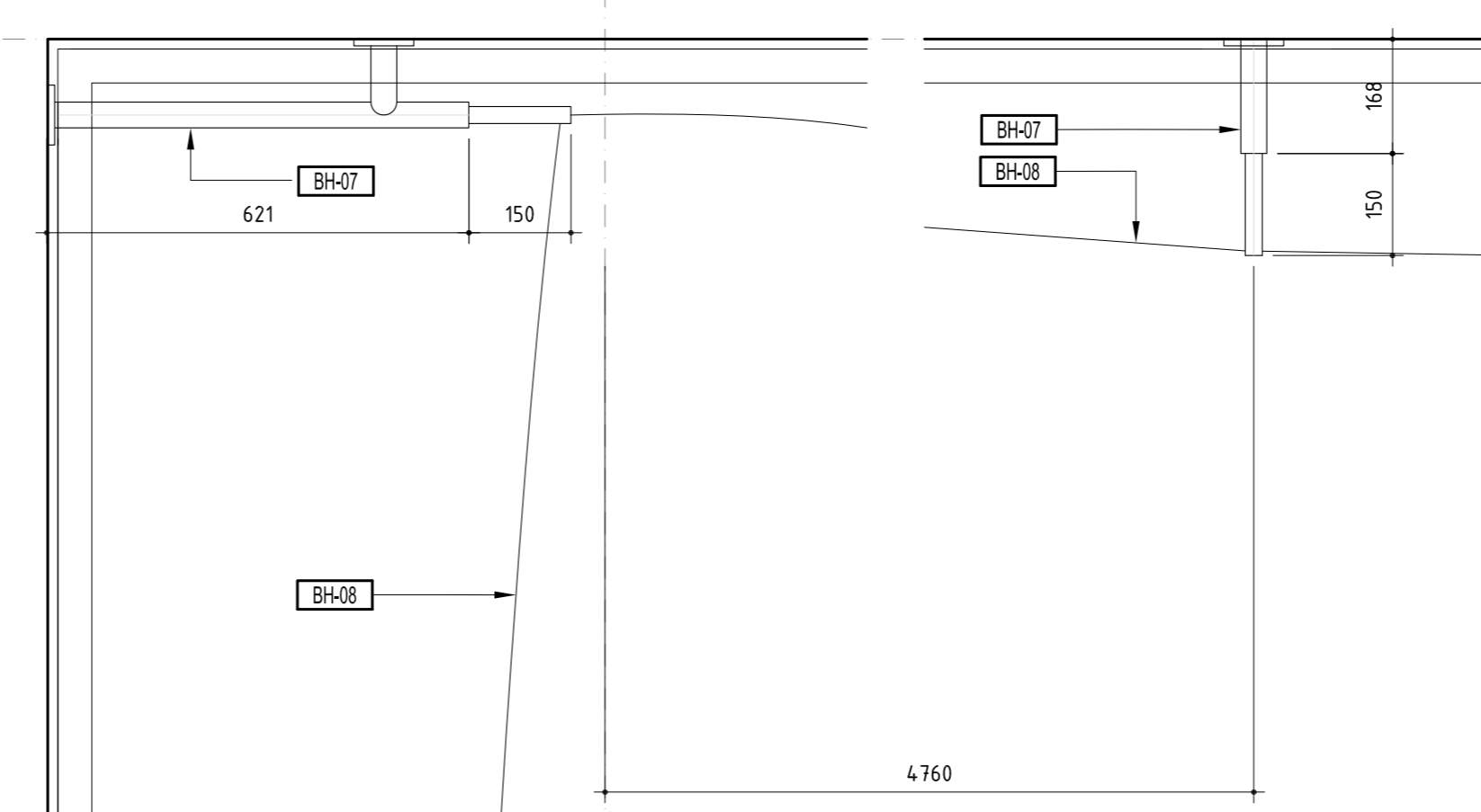


03 AXON PIPE OUTRIGGER @ L05 - SOUTH EAST CORNER
SCALE 1:10

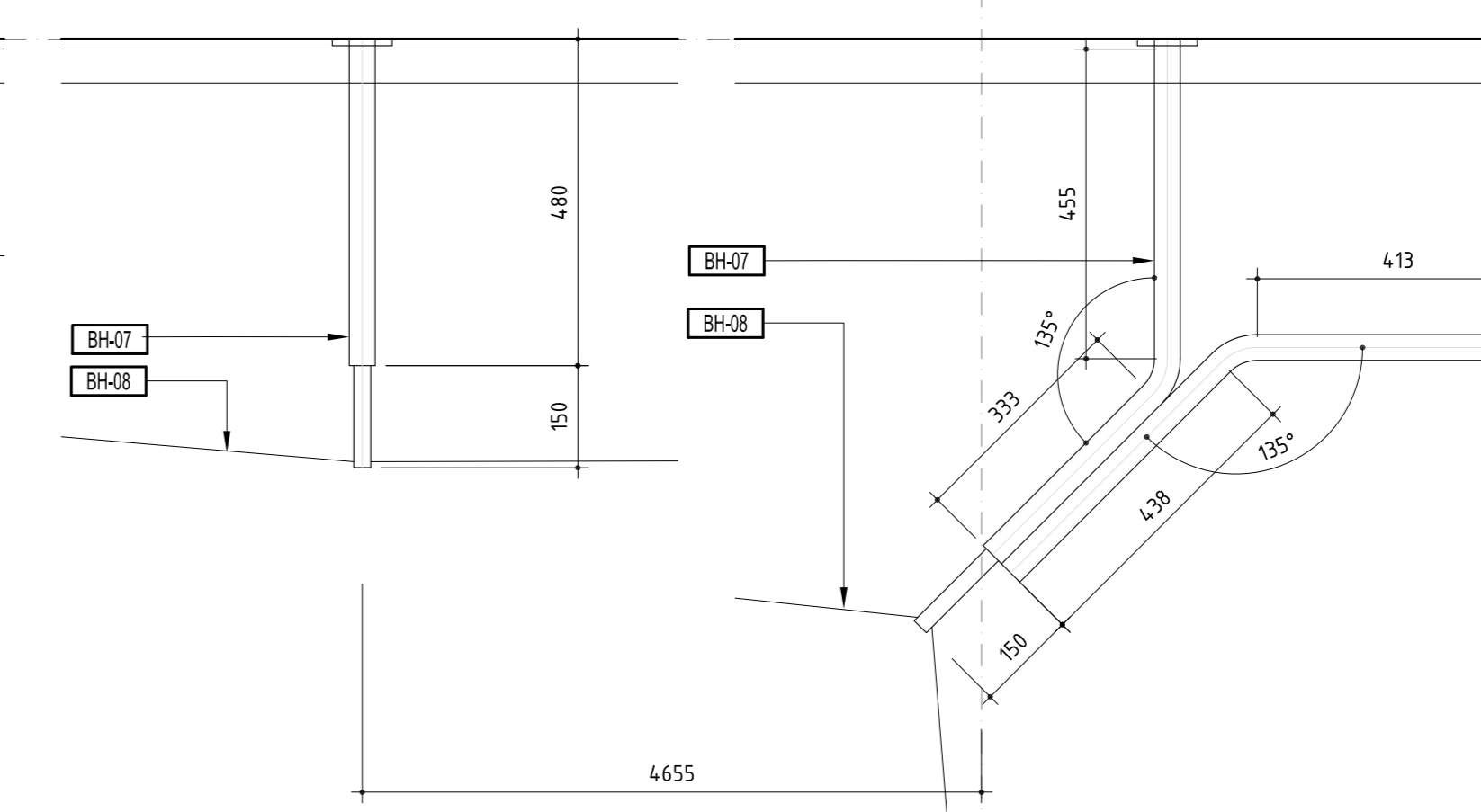
13 AXON PIPE OUTRIGGER @ L05 - DOOR TRACK SUPPORT
SCALE 1:10



09 PIPE OUTRIGGER @ L05 - PLAN TYPICAL
SCALE 1:10

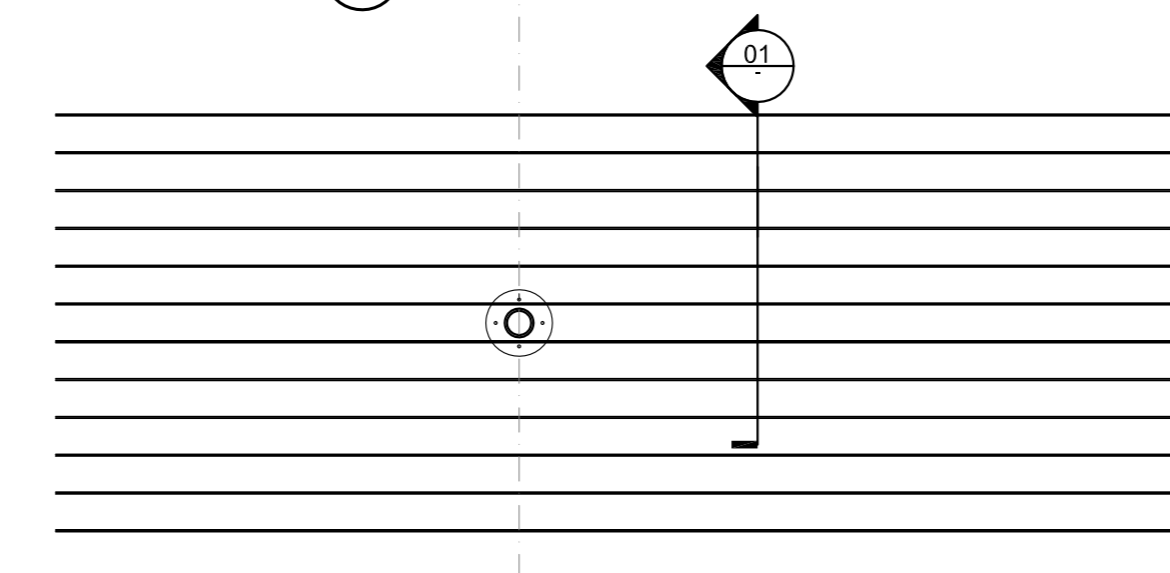


06 PLAN DETAIL PIPE OUTRIGGER @ L05 - NORTH EAST CORNER
SCALE 1:10

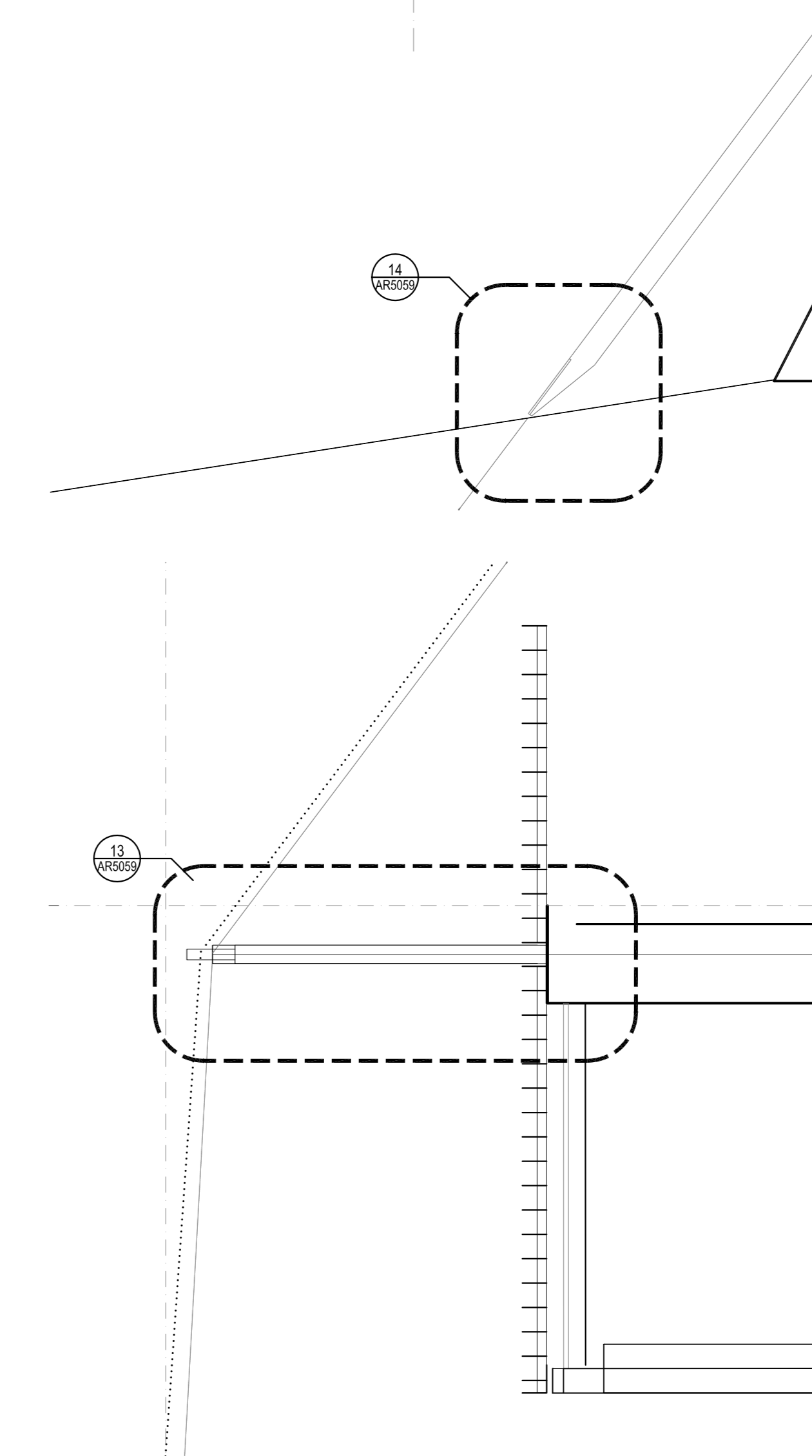


04 PLAN DETAIL PIPE OUTRIGGER @ L05 - SOUTH EDGE
SCALE 1:10

02 PLAN DETAIL PIPE OUTRIGGER @ L05 - SOUTH EAST CORNER
SCALE 1:10

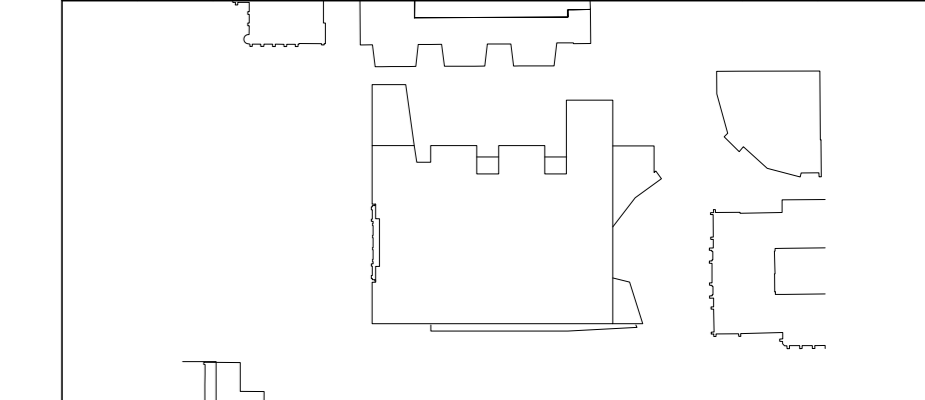


08 PIPE OUTRIGGER @ L05 - ELEVATION TYPICAL
SCALE 1:10



01 PIPE @ L05 - SECTION
SCALE 1:10

Rev	Issue	Revision Description	Amd	Date
A	SG	CONSTRUCTION ISSUE	-	03.01.14
03	JC	100% CD - TENDER ISSUE	-	07.09.12
02	JC	90% CD ISSUE	-	10.08.12
THIS SHEET WAS PREVIOUSLY AR-5059				
01	JC	75% CD ISSUE	-	13.07.12



NADAAA

NADAAA
1302 Washington Street No.2
Boston Massachusetts 02118 USA
Telephone +1 617 442 8232
Facsimile +1 617 442 1417
Email nad@nadaaa.com

John Wardle Architects

© 2011 John Wardle Architects
Level 10, 180 Russell Street, Melbourne Victoria 3000 Australia
Tel : +613 9654 8700 www.johnwardlearchitects.com

Client **University of Melbourne Parkville Campus**

Project **Faculty of Architecture Building and Planning**

Title **MESH BALUSTRADE LEVEL 05 TYPICAL**

Project No.	0913	Scale	1:100
Drawing No.	AR5058	Revision	A
Date	JAN 2014	Drawn	-
Co-Ord	-	Check	-

FILENAME - ###

FOR CONSTRUCTION